

Sanitary Line

CS4 Type

Features

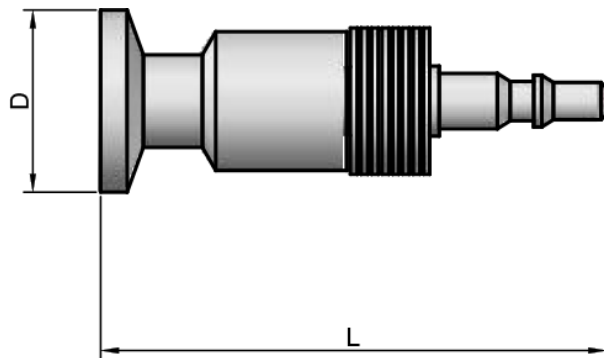
- Sampling valve sanitary line
- Made by **AISI 316L**
- Silicone seat
- Easy cleaning and assembly
- Sanitary Polish **Ra ≤ 0.8 μm**
- Max. Working pressure **10kg/cm²**
- Max. Working Temperature **140°C**



4008 Staubli



5008 Hose barb



N°	NAME	MATERIAL	SURFACE TREATMENT
1	Body	Stainless Steel AISI 316L	Mechanical Polish
2	Stem	Stainless Steel AISI 316L	Mechanical Polish
3	O' ring	Silicone	—
4	Seat	PTFE	—

General Dimensions

DIMENSIONS (mm)

ORDERING CODE	SIZE	D	L	Inlet Connection	Outlet Connection
V020CS4-4008-A54	3/4"	25.2	69.5	Tri Clamp 3/4"	Staubli
V020CS4-5008-A54	3/4"	25.2	69.5	Tri Clamp 3/4"	Hose Barb
V025CS4-4008-A54	1.0"	50.5	69.5	Tri Clamp 1.0"	Staubli
V025CS4-5008-A54	1.0"	50.5	69.5	Tri Clamp 1.0"	Hose Barb